

**SPECIFICATIONS:**

1. Electrical Life:  $\geq 40,000$  hours.
2. Permitted Voltage  $\pm 20\%$  ( $\geq 110V$ ).
3. Dielectric Strength: 2.5KV(AC RMS), 1min.
4. Usage Frequency(AC): 50~60 Hz.
5. Rated Operating Current:  $\leq 20mA$ .
6. Brightness:  $\geq 100cd/m^2$ .
7. Comparative Tracking Index CT1 $\geq 100$ , flame retardant.
8. Insulation Resistance:  $U_i \leq 60V, 5M\Omega, 60V < U_i \leq 660V, 50M\Omega$ .
9. IP Class: IP40.
10. Sound intensity:  $\geq 80db$  (10cm).

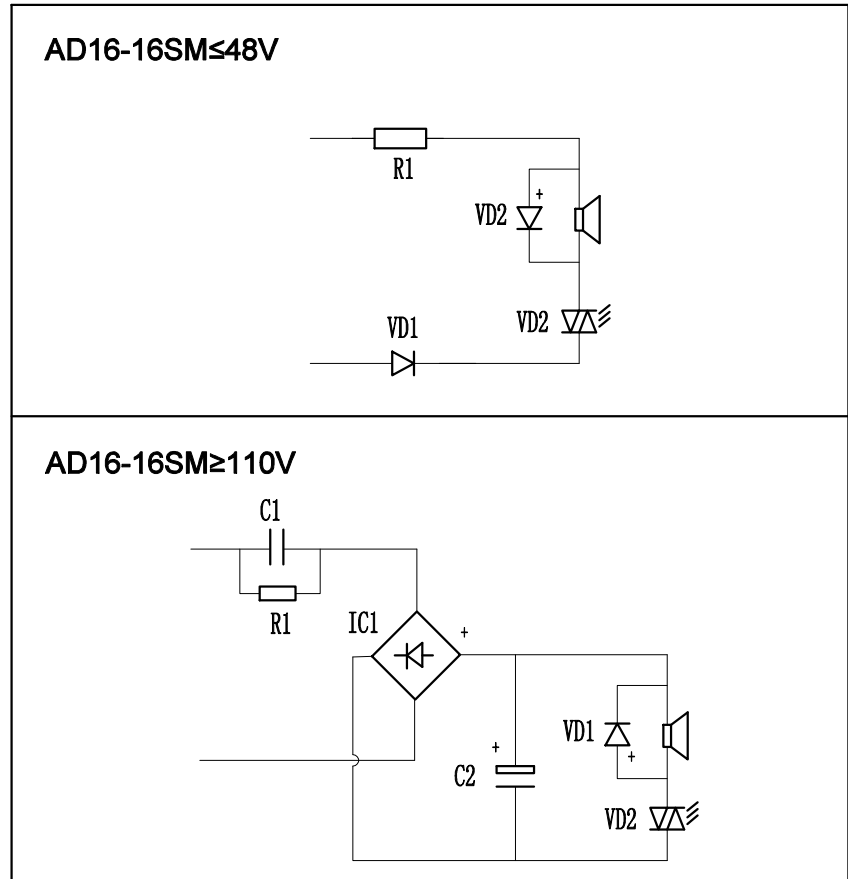
Part Number: AD16-16SM/▲

**MATERIALS:**

1. Head: PC.
2. Body: PC.
3. Base: PA.

"▲"	Lamp voltage
12V	AC/DC 12V
24V	AC/DC 24V
36V	AC/DC 36V
48V	AC/DC 48V
110V	AC 110V
220V	AC 220V
380V	AC 380V
Other voltage can be made to order	

5	6	7
FOR 客户名称	APPROVED 客户确认签字	ATTN 销售负责人



<b>BRAND</b> <b>品牌</b> <b>ONPOW</b>	<b>红波按钮制造有限公司</b> ONPOW PUSH BUTTON MANUFACTURE CO.,LTD.	
	USED 用途 FINISH 处理 SCALE 比例 2 : 1 UNIT 单位 mm	APPD 审核 CH 2019/07/15 CHKD 校对 NCH 2019/07/15 DR. 制图 ZPD 2019/07/15
THESE DRAWINGS AND SPECIFICATIONS ARE THE PROPERTY OF ONPOW PUSH BUTTON MANUFACTURE CO.,LTD. AND SHALL NOT BE REPRODUCED COPIED OR USED IN ANY MANNER WITHOUT THE PRIOR WRITTEN CONSENT OF ONPOW PUSH BUTTON MANUFACTURE CO.,LTD.	TITLE 名称 <b>AD16-16 Buzzer</b>	
DIMENSIONS 0.00 TO 18.00mm 18.01 TO 30.00mm 30.01 TO 50.00mm 50.01 TO 80.00mm	TOLERANCE $\pm 0.43mm$ $\pm 0.52mm$ $\pm 0.62mm$ $\pm 0.74mm$	DWG NO. 图号 <b>AD16-16SM</b>
FILE NAME 档案名称 AD16-16蜂鸣器.DWG	SHEET 张 1 / 1	SIZE 图纸 <b>A4</b>
Other voltage can be made to order	REV. 更改 1	